



HYLINE BUILDING SYSTEMS INTERNATIONAL

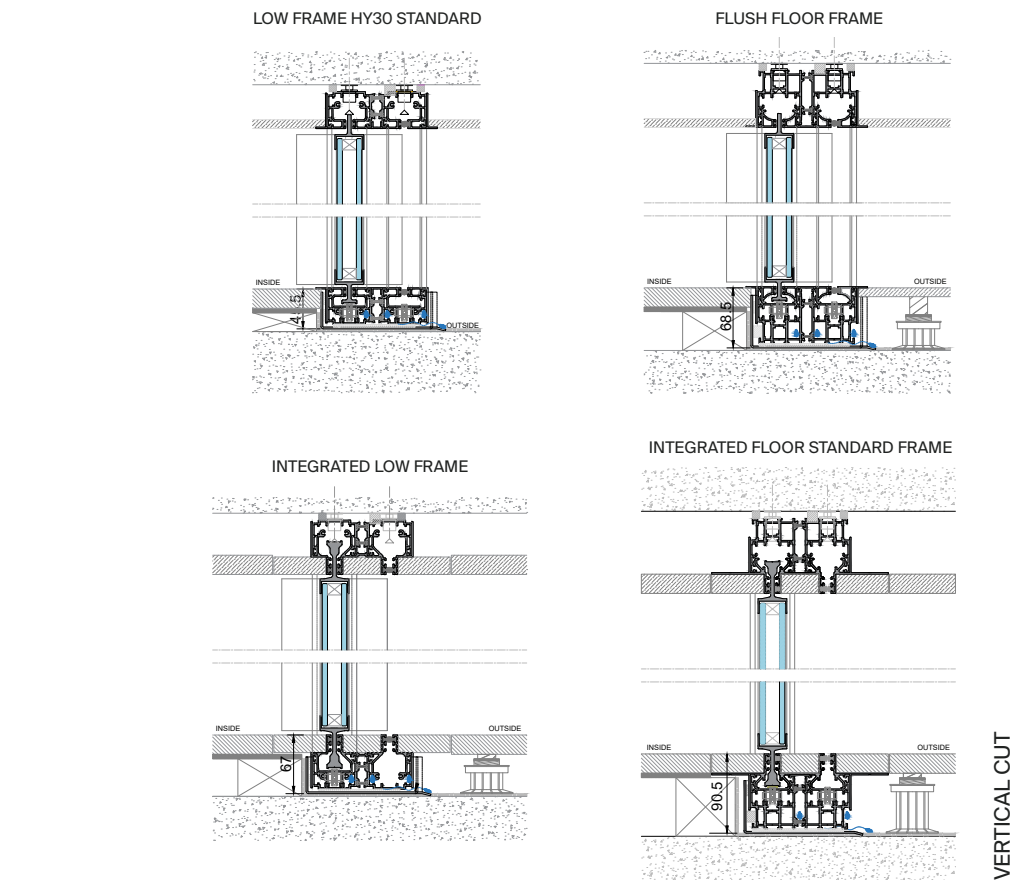
PORTUGAL - FRANCE - MOROCCO - BELGIUM - NETHERLANDS - SPAIN - GERMANY
UNITED KINGDOM - BRAZIL - PERU - PARAGUAY - USA - DUBAI - MONACO - ISRAEL

WWW.HYLINE-BSI.COM

HYLINE[®]
D E T A I L S M A K E P E R F E C T I O N



ARCHITECT: ALFONZO AZQUETA
PHOTO: IVO TAVARES STUDIO



TECHNICAL DRAWING

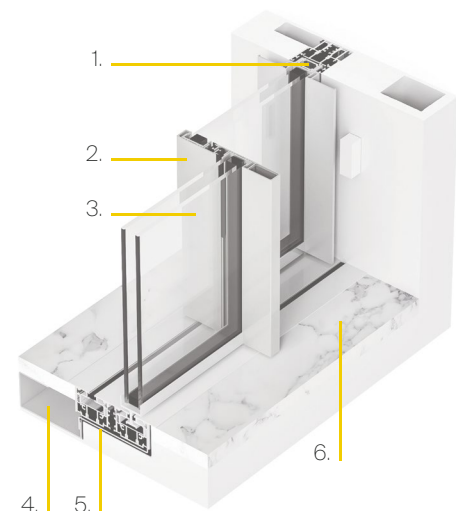
ONE SYSTEM, SEVERAL POSSIBILITIES

This minimalist system is suited for premium jobs. It was developed to use double glass up to 28mm thickness, up to 3,5m height or a glass surface of up to 9m². This robust window offers excellent acoustic and thermal performance.

This system allows the inclusion of shutters and fly screens.

Perimetral view of 18 mm with invisible frame, brings the aesthetics for the true minimalist concept.

There is also the possibility of including the new "Low Frame" solution.



1. Main Frame
2. Central Mullion
3. Glass
4. Drainage System
5. Inox Gutter
6. Interior finish

Opening Options | Mono / Bi / Tri / Quad. + Rails
Corner Module
Pocket Module

Maximum Weight | 350kg/ML

Locking and Security System | You can integrate a key lock for better security and control. The cylinder lock is hidden on the wall for an invisible frame effect. You can integrate an electromagnetic lock for better security and control. Alarm Contact, Digicode, Finger Scan integrated in the wall or in the frame.

Multi-point Lock | HYLINE features a multipoint locking system. The mechanism is completely hidden in the frame and each locking point is adjustable.

Finishing Options | HYLINE Colour Essentials (Ral Cores STD)
HYLINE Natural Metals (Qualanod EURAS Class 2 STD)
HYLINE Advanced Coating (Hiper Durable Finishings)
HYLINE Luxury Collection under Qualicoat Seaside Standards

INVISIBLE FRAME PERIMETRAL

At HYLINE, only the window is seen. Landscape framing is reduced to ultra thin lines of 8mm aluminium view for the chassis.

INTEGRATED FLOOR

The HYLINE system allows to ensure visual continuity and material between the inside and outside.

HYHANDLE

Handle with exclusive design.

